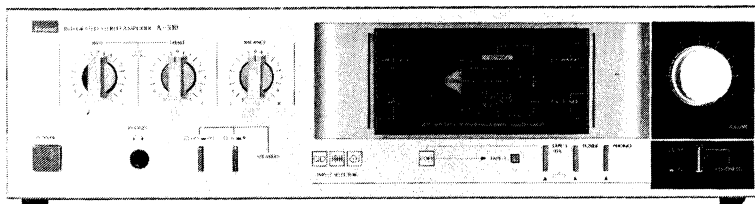


SERVICE MANUAL

INTEGRATED STEREO AMPLIFIER

SANSUI A-510 (Silver & Black Model) **A-501** *CLASSIQUE* **A-501**



NOTE

A-510 and CLASSIQUE A-501, A-501 are additional models which external appearances are different from those of A-505.

This manual contains OTHER PARTS LIST, PACKING LIST and ACCESSORY LIST in which changed parts are printed with bold-face.

For other parts list, refer to A-707/A-505 service manual previously issued.

•SPECIFICATIONS

•A-510

Power output

Min. RMS, both channels driven, from 40 to 20,000 Hz, with no more than 0.07% total harmonic distortion
30 watts per channel into 8 ohms

Load impedance..... 8 ohms

Total harmonic distortion

..... less than 0.07% at or below rated min. RMS power output

Frequency response (at 1 watt)

..... 10 to 50,000 Hz
+1 dB, -2 dB

RIAA curve deviation (PHONO, 30 Hz to 15 kHz)

..... +0.5 dB, -0.5 dB

Input sensitivity and impedance

(1 kHz, for rated power output)

PHONO..... 2.5 mV/47 kilohms

(Max. input capability; 120mV at 1 kHz, less than 0.1% total harmonic distortion)

TUNER, TAPE PLAY.... 150 mV/47 kilohms

Output level (1 kHz)

TAPE REC..... 130 mV into 47 kilohms

Signal to noise ratio (short-circuit, A-network)

PHONO..... 72 dB

TUNER, TAPE PLAY.... 90 dB

Power requirements

Power voltage..... 120/220/240V (50/60 Hz)
For U.S.A. & Canada

..... 120V (60 Hz)

Power consumption.... 120 watts 150 VA Rated
170 watts Maximum

Dimensions..... 430 mm (16-15/16") W

118 mm (4-11/16") H

245 mm (9-11/16") D

Weight..... 4.0 kg (8.8 lbs.) net

4.8 kg (10.6 lbs.) packed

•CLASSIQUE A-501 & A-501

Power voltage..... 120V (60 Hz)

Power consumption..... 120 watts

Dimensions..... 430 mm (16-15/16") W

118 mm (4-11/16") H

245 mm (9-11/16") D

Weight..... 4.0 kg (8.8 lbs.) net

4.8 kg (10.6 lbs.) packed

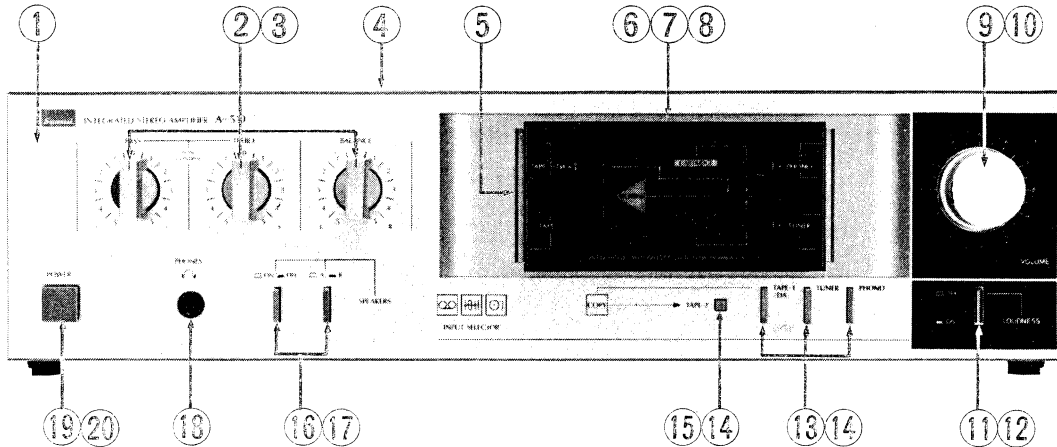
* Design and specifications subject to changes without notice for improvements.



SANSUI ELECTRIC CO., LTD.

1. OTHER PARTS

Front View



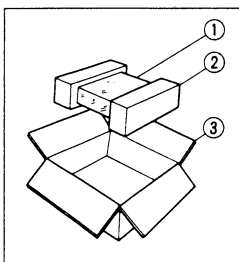
Parts List <Front View>

Parts No.	Stock No.	Description
1	47409500	Front Panel (Silver Model) <A-510>
	47409600	Front Panel (Black Model) <A-510>
	47509100	Front Panel (CLASSIQUE A-501)
	47509400	Front Panel (A-501) <CSA>
2	47397200	Knob, BASS/TREBLE/BALANCE (Silver Model)
	47397300	Knob, BASS/TREBLE/BALANCE (Black)
3	46363100	50kΩ(C)×2 & 250kΩ V.R., BASS/TREBLE/BALANCE
4	07952400	Bonnet
5	07918400	Dress Knob
6	47411710	Display Cover
7	47496700	Display Panel
8	07935520	Display Holder

Parts No.	Stock No.	Description
9	47411400	Knob, VOLUME
10	46362900	150kΩ(B)×2 V.R., VOLUME
11	07911000	Push Knob, LOUDNESS (Black Model)
12	46360900	Push SW., LOUDNESS
13	47430600	Push Knob, PHONO/TUNER/TAPE-1
14	46365600	Push SW., PHONO/TUNER/TAPE-1/TAPE-2
15	47392800	Push Knob, TAPE-2
16	46361100	Push SW., SPEAKERS
17	47252100	Push Knob, SPEAKERS
18	46265700	Jack, PHONES
19	46364300	Push SW., POWER
20	07911210	Push Knob, POWER (Black Model)
	07971220	Push Knob, POWER (Silver Model)

2. PACKING LIST

Parts No.	Stock No.	Description
1	91263810	Vinyl Cover
2	07949000	Styrofoam Packing
3	47411200	Carton Case (A-510/Silver Model)
	47411300	Carton Case (A-510/Black Model)
	47507400	Carton Case (CLASSIQUE A-501)
	47507500	Carton Case (A-501) <CSA>



3. ACCESSORY LIST

Stock No.	Description
46895200	Operating Instruction (A-510)
46895300	Operating Instruction (CLASSIQUE A-501)
46951200	Operating Instruction (A-501) <CSA>

Note:

The symbols, UL, CSA, SA, BS, UK, EU, AS and XX in the parts list mean followings respectively.

- UL Manufactured for U.S.A market (Underwriters Laboratories approved model.)
- CSA Manufactured for Canadian market.
- SA Manufactured for South African market.
- BS, UK Manufactured for United Kingdom market.
- EU Manufactured for European market.
- AS Manufactured for Australian market.
- XX Standard Version.
- NON MARK Common Parts.



SANSUI ELECTRIC CO., LTD.:
SANSUI ELECTRONICS CORPORATION:
SANSUI ELECTRONICS (U.K.) LTD.:
SANSUI ELECTRONICS G.M.B.H.:

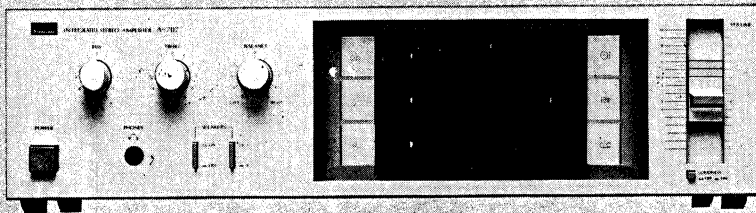
14-1, Izumi 2-chome, Suginami-ku, Tokyo 168 Japan
PHONE: (03) 324-8891/TELEX: 232-2076 (International Division)
1250 Valley Brook Ave. Lyndhurst, N.J. 07071 U.S.A.
17150 South Margay Ave. Carson, California 90746 U.S.A.
3036 Koapaka Street, Honolulu, Hawaii 96819 U.S.A.
Unit 10A, Lyon Industrial Estate, Rockware Avenue, Geonford, Middx UB6, OAA, England
Pau Ehrich Strasse 8, 6074 Rödermark 2, West Germany

SERVICE MANUAL

INTEGRATED STEREO AMPLIFIER

SANSUI A-707/505

(Silver & Black Model)



● SPECIFICATIONS

● A-707

- Power output**
Min. RMS, both channels driven, from 20 to 20,000 Hz,
with no more than 0.06 % total harmonic distortion
50 watts per channel into 8 ohms
- Load impedance** 8 ohms
- Total harmonic distortion**
..... less than 0.06 % at or below
rated min. RMS power output
- Frequency response (at 1 watt)**
..... 5 to 60,000 Hz
+1 dB, -2 dB
- RIAA curve deviation (PHONO, 20 Hz to 20 kHz)**
..... +0.5 dB, -0.5 dB
- Input sensitivity and impedance (1 kHz, for rated power output)**
PHONO 2.5 mV/47 kilohms
(Max. input capability, 120 mV at 1 kHz, less than
0.1 % total harmonic distortion)
- TUNER, TAPE PLAY**
..... 150 mV/47 kilohms
- Output level (1 kHz)**
TAPE REC 130 mV into 47 kilohms
- Signal to noise ratio (short-circuit, A-network)**
PHONO 72 dB
TUNER, TAPE PLAY
..... 90 dB
- Power requirements**
Power voltage 120/220/240 V (50/60 Hz)
For U.S.A. & Canada
..... 120 V (60 Hz)
- Power consumption**
..... 190 watts 225 VA Rated
270 watts Maximum
- Dimensions** 430 mm (16-15/16") W
118 mm (4-11/16") H
245 mm (9-11/16") D
- Weight** 4.9 kg (10.8 lbs.) net
5.7 kg (12.6 lbs.) packed

● A-505

- Power output**
Min. RMS, both channels driven, from 40 to 20,000 Hz,
with no more than 0.07 % total harmonic distortion
30 watts per channel into 8 ohms
- Load impedance** 8 ohms
- Total harmonic distortion**
..... less than 0.07 % at or below
rated min. RMS power output
- Frequency response (at 1 watt)**
..... 10 to 50,000 Hz
+1 dB, -2 dB
- RIAA curve deviation (PHONO, 30 Hz to 15 kHz)**
..... +0.5 dB, -0.5 dB
- Input sensitivity and impedance (1 kHz, for rated power output)**
PHONO 2.5 mV/47 kilohms
(Max. input capability, 120 mV at 1 kHz, less than
0.1 % total harmonic distortion)
- TUNER, TAPE PLAY**
..... 150 mV/47 kilohms
- Output level (1 kHz)**
TAPE REC 130 mV into 47 kilohms
- Signal to noise ratio (short-circuit, A-network)**
PHONO 72 dB
TUNER, TAPE PLAY
..... 90 dB
- Power requirements**
Power voltage 120/220/240 V (50/60 Hz)
For U.S.A. & Canada
..... 120 V (60 Hz)
- Power consumption**
..... 120 watts 150 VA Rated
170 watts Maximum
- Dimensions** 430 mm (16-15/16") W
118 mm (4-11/16") H
245 mm (9-11/16") D
- Weight** 4.0 kg (8.8 lbs.) net
4.8 kg (10.6 lbs.) packed

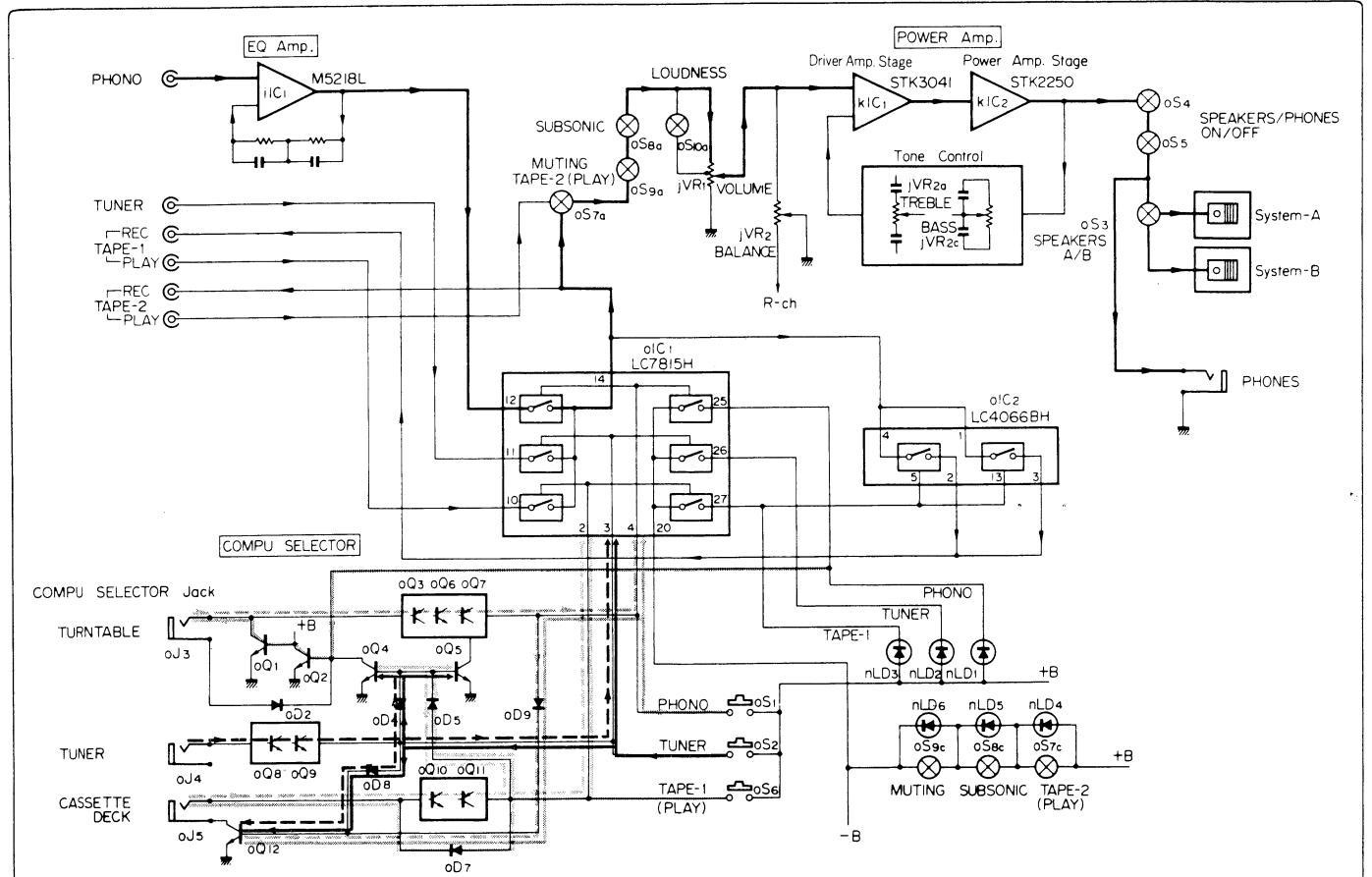
* Design and specifications subject to changes without notice for improvements.



SANSUI ELECTRIC CO., LTD.

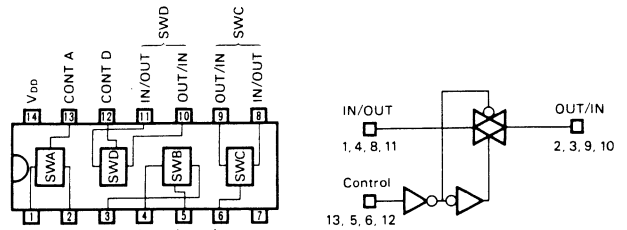
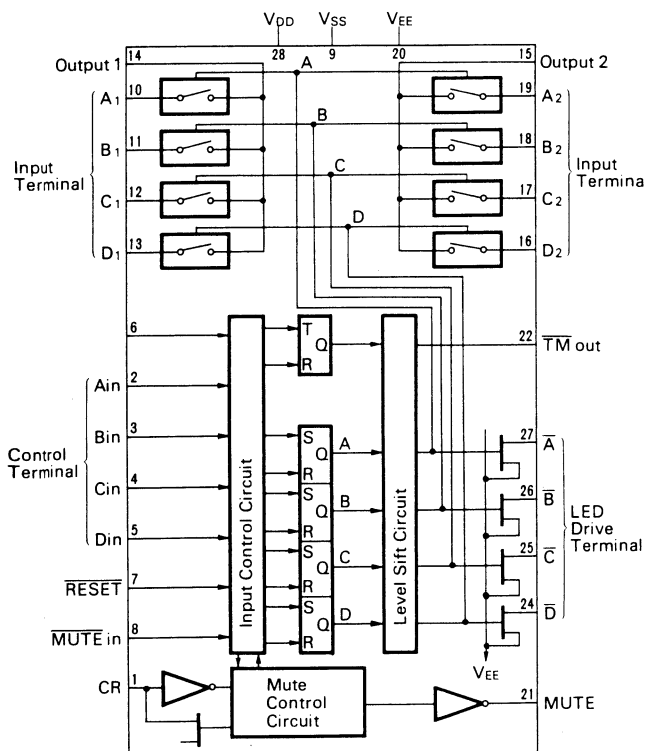
1. BLOCK DIAGRAM

1-1. A-707



● LC7815H Analog Function Switch IC

● LC4066BH Quad Bilateral Switch IC

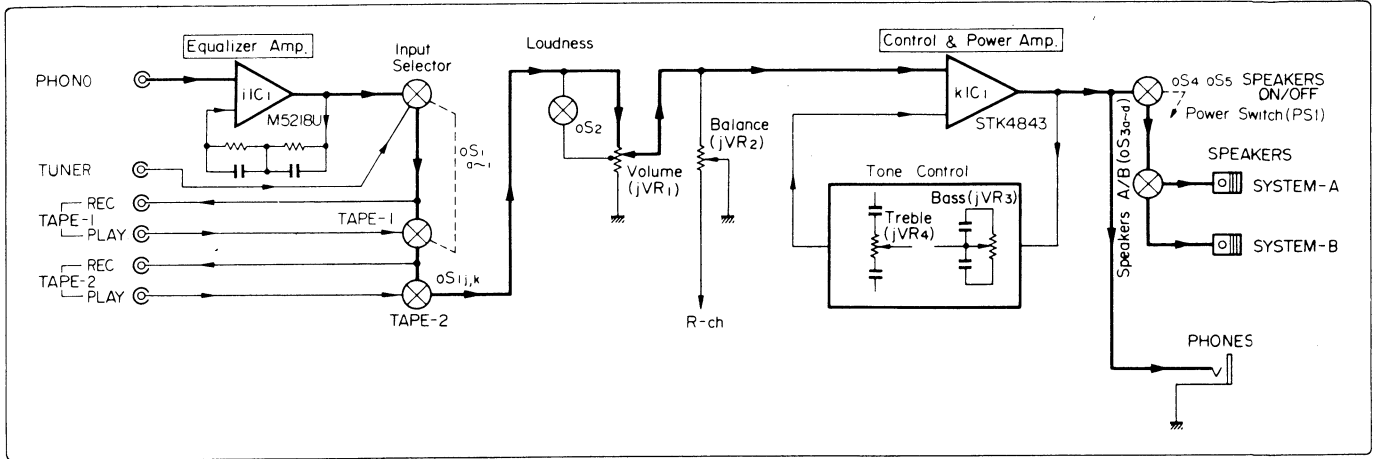


* LC7815H

Condition of control input terminals Port (Pin No.)				Connected input terminal to output 1 and 2 terminals		Connected terminal to LED indicator
Ain (2)	Bin (3)	Cin (4)	Din (5)	PORT (Pin No.)	PORT (Pin No.)	PORT (Pin No.)
H	*	*	*	A ₁ (10)	A ₂ (19)	A(27)
L	H	*	*	B ₁ (11)	B ₂ (18)	B(26)
L	L	H	*	C ₁ (12)	C ₂ (17)	C(25)
L	L	L	H	D ₁ (13)	D ₂ (16)	D(24)

H : H level L : L level * : Don't care

1-2. A-505



2. OPERATION OF COMPU SELECTOR <A-707> (See A-707 Block Diagram)

* The amplifier (A-707) has COMPU SELECTOR function which works with a tuner (T-707 or T-909), a turntable (P-D30, P-L40 or P-L50), a tape deck (D-77F, D-77R or D-99D).

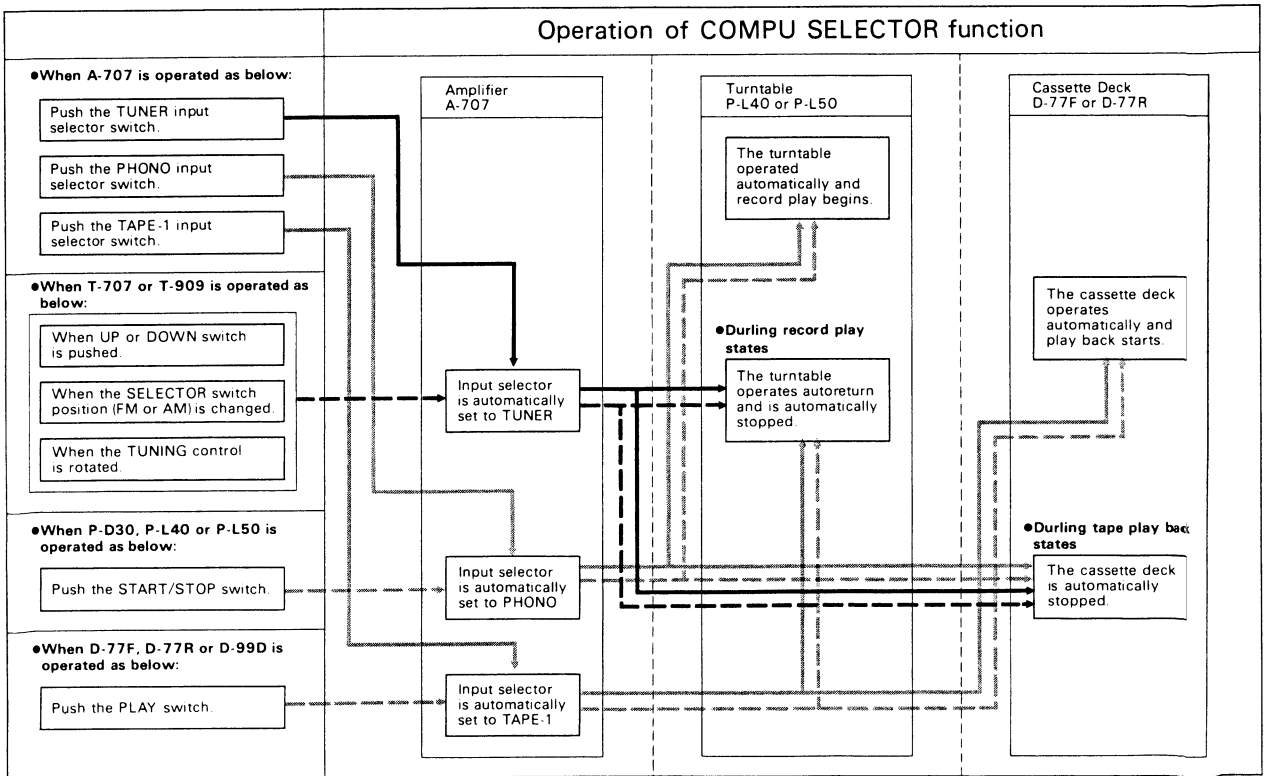
A. Operation when one of the input selector switches of the amplifier is pushed

- 1) • When the PHONO switch is pushed, the platter of the turntable (P-L40 or P-L50) starts rotating and the tonearm automatically moves to play record.
 - When the TUNER or TAPE-1 switch is pushed during record play, the tonearm returns to the arm rest and the platter stops rotating automatically.
- 2) • When the TAPE-1 switch is pushed, the cassette deck (D-77F or D-77R) starts automatically to playback a tape.

- When the PHONO or TUNER switch is pushed during tape playback, cassette deck stops automatically.

B. Operation when one of the function switches of combined unit is controlled

- 1) When the START/STOP switch of the turntable (P-D30, P-L40 or P-L50) is pushed, the input selector of the amplifier is automatically set to the PHONO mode.
- 2) When one of the FM/AM selection switch and the UP/DOWN switch of the tuner (T-707 or T-909) is pushed, or the tuning knob of the tuner is touched by hand, the input selector of the amplifier is automatically set to TUNER mode.
- 3) When the PLAY switch of the cassette deck is pushed, the input selector of the amplifier is automatically set to the TAPE-1 mode.

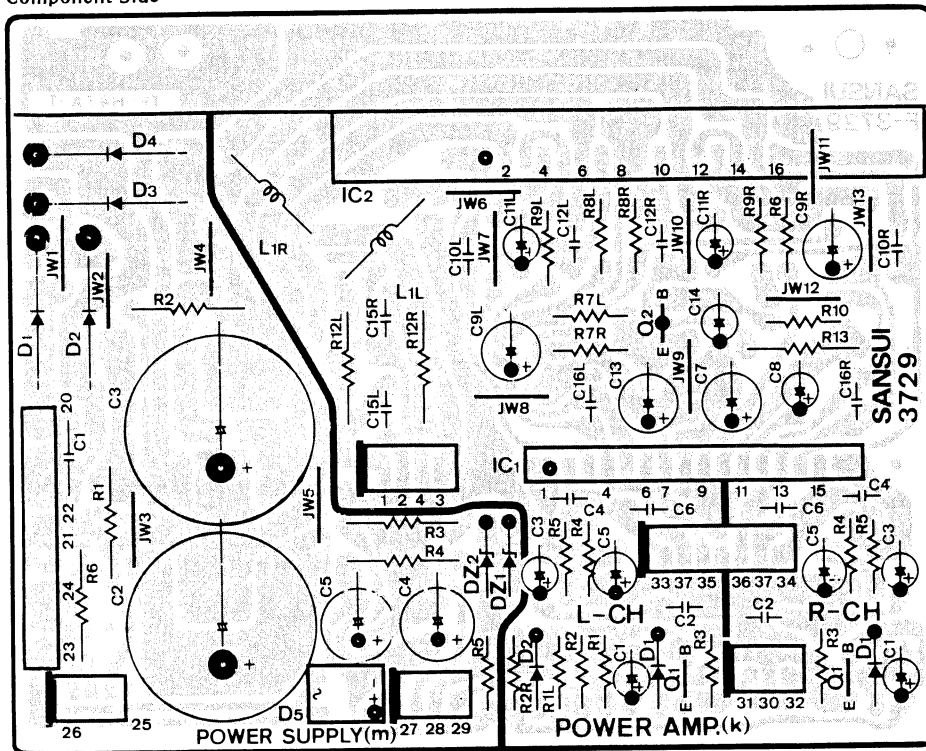


3. PARTS LOCATION & PARTS LIST

3-1. F-3729 Power Amp. & Power Supply Circuit Board (Stock No. 00704201) <A-707>

•Since some of capacitors and resistors are omitted from parts lists in this Service Manual, refer to the Common Parts List for capacitors & resistors, which was appended previously to Sansui Manual.

Component Side



Parts List

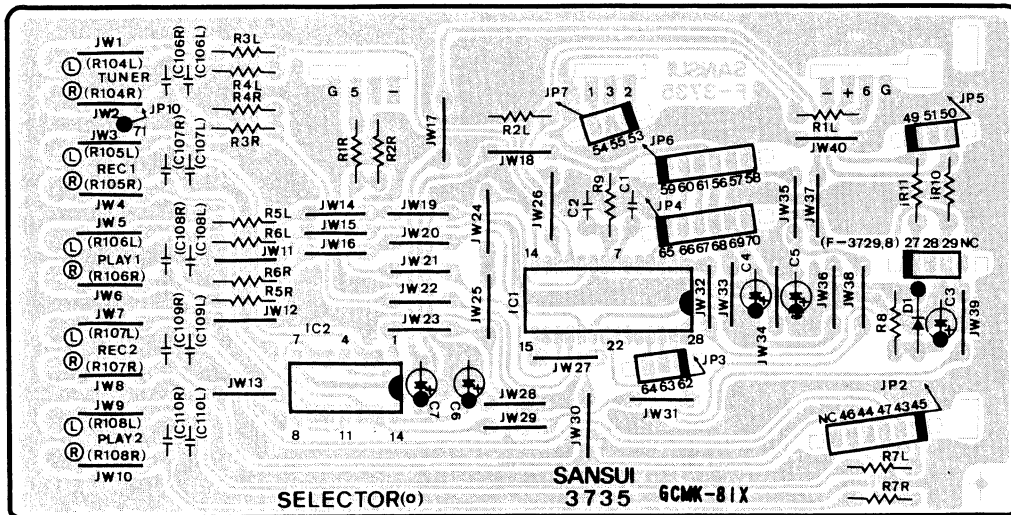
Parts No.	Stock No.	Description	Parts No.	Stock No.	Description
•Transistor			•Diode		
kQ1	07194801	2SC1815	mD1	03115300	30D2
	or 46367301	2SC2458	mD2	03115300	30D2
kQ2	03010901	2SA992	mD3	03115300	30D2
•IC			mD4	03115300	30D2
kIC1	46395100	STK3041	mD5	46273600	DBB10-B
kIC2	46395000	STK2250	•Zener Diode		
•Diode			mDZ1	46113800	05Z12
kD1	03117600	1S2473D	mDZ2	46113800	05Z12
kD2	03117600	1S2473D	mR1	46251400	5.6kΩ 1W N.I.R.
kR6	46229000	100Ω 1/2W N.I.R.	mR2	46251400	5.6kΩ 1W N.I.R.
kR9	46229400	220Ω 1/2W N.I.R.	mR3	46249800	270Ω 1W N.I.R.
kR11	46230200	1kΩ 1/2W N.I.R.	mR4	46249800	270Ω 1W N.I.R.
kR12	46247700	4.7Ω 1W N.I.R.	mR5	46229900	5.6kΩ 1/2W N.I.R.
kC2	46137200	220pF 50V C.C.	mC1	08680400	10000pF 500V C.C.
kC4	46137200	220pF 50V C.C.	mC2	46395200	4700μF 50V E.C.
kL1	46394500, 1	Inductor Coil	mC3	46395200	4700μF 50V E.C.

• Abbreviations

C.R. : Carbon Resistor	E.B. : Bi-Polar Electrolytic Capacitor
S.R. : Solid Resistor	E.BL. : Low Leak Bi-Polar Electrolytic Capacitor
Ce.R. : Cement Resistor	
M.R. : Metal Film Resistor	Ta.C. : Tantalum Capacitor
F.R. : Fusing Resistor	F.C. : Film Capacitor
N.I.R. : Non-Inflammable Resistor	M.P. : Metalized Paper Capacitor
C.C. : Ceramic Capacitor	P.C. : Polystyrene Capacitor
C.T. : Ceramic Capacitor, Temperature Compensation	G.C. : Gimmick Capacitor
E.C. : Electrolytic Capacitor	V.R. : Variable Resistor
E.L. : Low Leak Electrolytic Capacitor	S.V.R. : Semi Variable Resistor
	SW. : Switch

3-2. F-3735 COMPU SELECTOR Control IC Circuit Board (Stock No. 00704701) <A-707>

Component Side



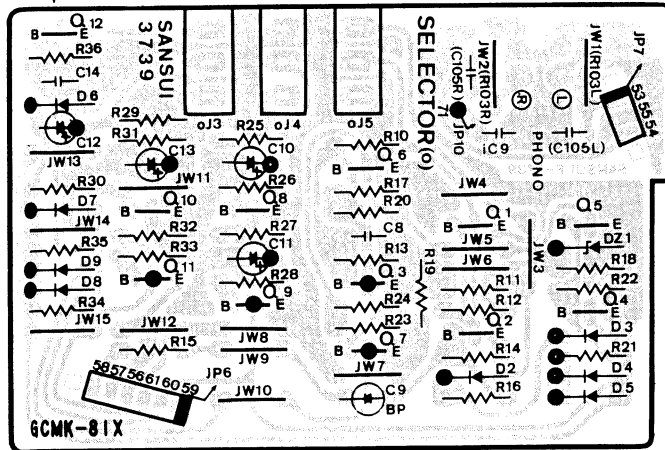
Parts List

Parts No.	Stock No.	Description
iR10	46229000	100Ω 1/2W N.I.R.
iR11	46229000	100Ω 1/2W N.I.R.
•IC		
oIC1	46394800	LC7815H
oIC2	46255000	LC4066BH

Parts No.	Stock No.	Description
•Diode		
oD1	03117600	1S2473D
	46371500	4P Input Terminal, TUNER/TAPE-1 (REC)
	46363900	6P Input Terminal, TAPE-1 (PLAY)/TAPE-2

3-3. F-3739 COMPU SELECTOR Circuit Board (Stock No. 00705101) <A-707>

Component Side



Parts List

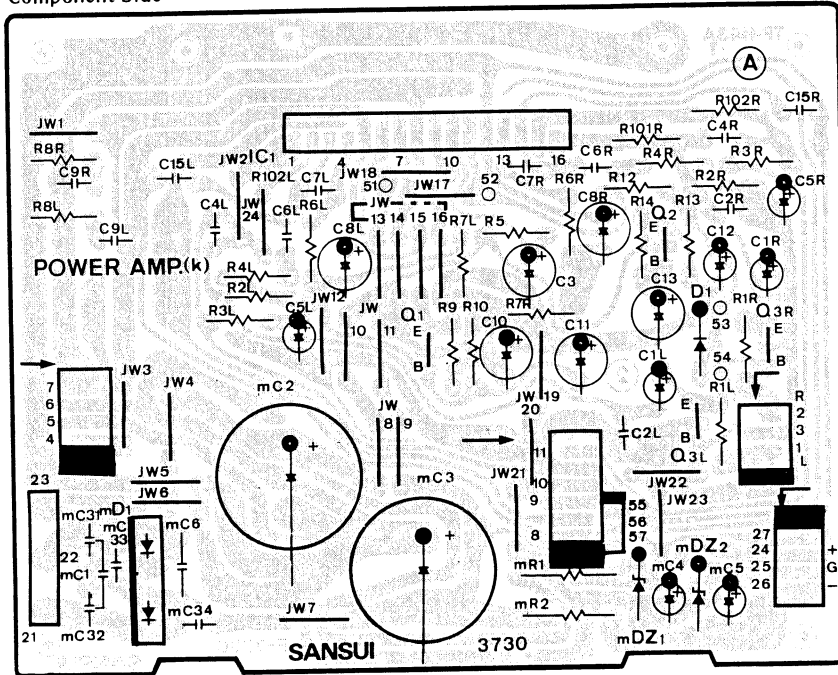
Parts No.	Stock No.	Description
•Transistor		
oQ1	07194801	2SC1815
	or 46367301	2SC2458
oQ2	07194801	2SC1815
	or 46367301	2SC2458
oQ3	07194701	2SA1015
	or 46367201	2SA1048
oQ4	07194801	2SC1815
	or 46367301	2SC2458
oQ5	07194801	2SC1815
	or 46367301	2SC2458
oQ6	07194801	2SC1815
	or 46367301	2SC2458
oQ7	07194701	2SA1015
	or 46367201	2SA1048
oQ8	07194801	2SC1815
	or 46367301	2SC2458

Parts No.	Stock No.	Description
oQ9	07194701	2SA1015
	or 46367201	2SA1048
oQ10	07194801	2SC1815
	or 46367301	2SC2458
oQ11	07194701	2SA1015
	or 46367201	2SA1048
oQ12	07194801	2SC1815
	or 46367301	2SC2458
•Diode		
oD2	03117600	1S2473D
oD3	03117600	1S2473D
oD4	03117600	1S2473D
oD5	03117600	1S2473D
oD6	03117600	1S2473D
oD7	03117600	1S2473D
oD8	03117600	1S2473D

Parts No.	Stock No.	Description
oD9	03117600	1S2473D
•Zener Diode		
oDZ1	46111200	05Z5.1
oC9	08450800	3.3μF 16V E.B.
oJ3	46148200	Jack (Mini), COMPU SELECTOR
oJ4	46148200	Jack (Mini), COMPU SELECTOR
oJ5	46148200	Jack (Mini), COMPU SELECTOR
	46363700	2P Input Terminal, PHONO

3-4. F-3730 Power Amp. & Power Supply Circuit Board (Stock No. 00695801) <A-505>

Component Side



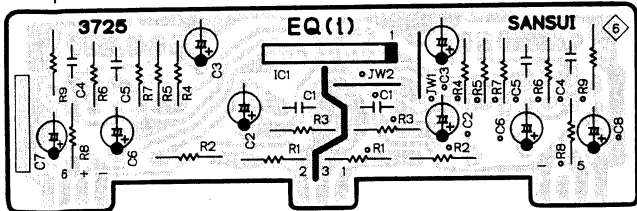
Parts List

Parts No.	Stock No.	Description
• Transistor		
kQ1	07194701	2SA1015
• IC		
kIC1	46367600	STK4843
kR5	46229000	100Ω 1/2W N.I.R.
kR8	46227800	10Ω 1/2W N.I.R.
kR9	46229000	100Ω 1/2W N.I.R.
kC2	46137400	330pF 50V C.C.
kC4	46137400	330pF 50V C.C.
kC6	46137600	470pF 50V C.C.

Parts No.	Stock No.	Description
• Diode		
mD1	03117000	RB-152
• Zener Diode		
mDZ1	46115400	05Z20
mDZ2	46115400	05Z20
mR1	46250300	680Ω 1W N.I.R.
mR2	46250300	680Ω 1W N.I.R.
mC1	08680400	10000pF 50V C.C.
mC2	46363300	3900μF 42V E.C.
mC3	46363300	3900μF 42V E.C.

3-5. F-3725 EQ. Amp. Circuit Board (Stock No. 00695501) <A-707/A-505>

Component Side

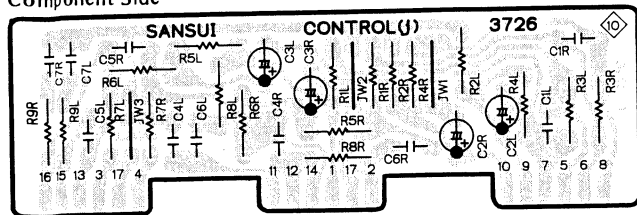


Parts List

Parts No.	Stock No.	Description
• IC		
iIC1	46078900	M5218L
iC1	46137200	220pF 50V C.C.

3-6. F-3726 Tone Control Circuit Board <A-707/A-505>

Component Side



Parts List

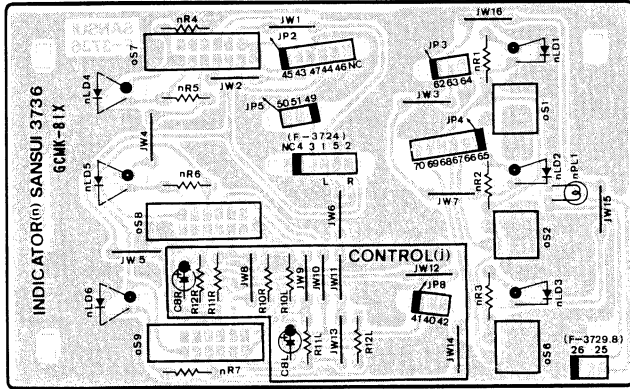
Parts No.	Stock No.	Description
iC7	07216800	68000pF 25V C.C.

Note: This circuit board is not supplied as the assembled. However, individual parts on the circuit board are provided by order.

• Note: The circuit boards, F-3736, F-3737, F-3738, F-3740, F-3741, F-3742, F-3743, F-3744, F-3727, F-3731 & F-3732 are not supplied as the assembled. However, the individual parts on the circuit boards are provided by orders.

3-7. F-3736 Input Selector Switch & Indicator Circuit Board <A-707>

Component Side

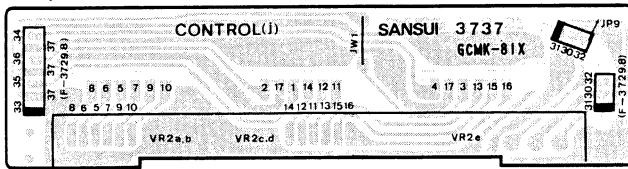


Parts List

Parts No.	Stock No.	Description
nLD1	46176900	LED TLS-123
nLD2	46176900	LED TLS-123
nLD3	46176900	LED TLS-123
nLD4	46176900	LED TLS-123
nLD5	46176900	LED TLS-123
nLD6	46176900	LED TLS-123
nPL1	46315900	Pilot Lamp 12V 1.5A
oS1	46395900	Push SW., PHONO
oS2	46395900	Push SW., TUNER
oS6	46395900	Push SW., TAPE-1
oS7	46365400	Push SW., TAPE-2
oS8	46365400	Push SW., SUBSONIC
oS9	46365400	Push SW., MUTING

3-8. F-3737 BASS/TREBLE/BALANCE Volume Circuit Board <A-707>

Component Side

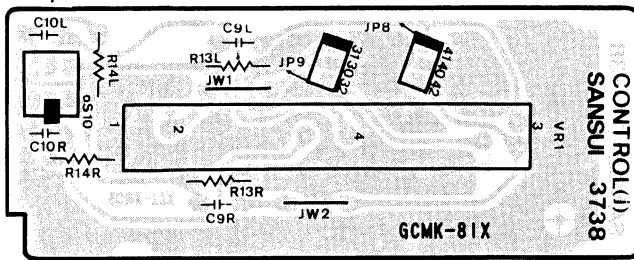


Parts List

Parts No.	Stock No.	Description
jVR2	46363100	50kΩ (C) x 2 + 250kΩ

3-9. F-3738 VOLUME Circuit Board <A-707>

Component Side

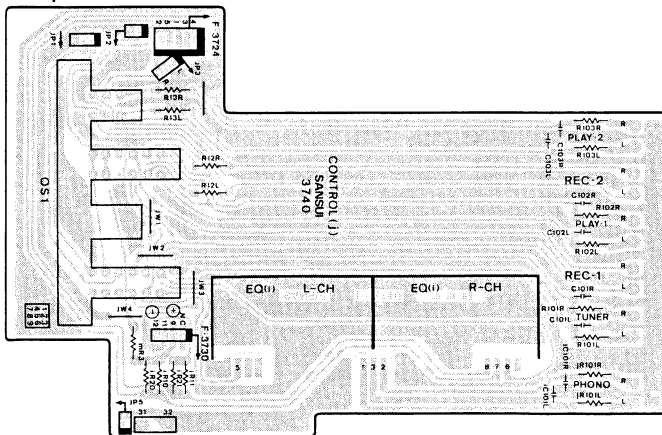


Parts List

Parts No.	Stock No.	Description
jC9	46137600	470pF 50V C.C.
jC10	07216200	22000pF 25V C.C.
jVR1	46395300	150kΩ Slide V.R., VOLUME
oS10	46360900	Push SW., LOUDNESS

3-10. F-3740 Input Terminal Circuit Board <A-505>

Component Side

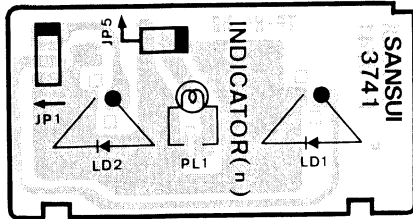


Parts List

Parts No.	Stock No.	Description
iR10	46230400	1.5kΩ 1/2W N.I.R.
iR11	46230400	1.5kΩ 1/2W N.I.R.
mR4	46229000	100Ω 1/2W N.I.R.
mR5	46229000	100Ω 1/2W N.I.R.
oS1	46365600	Push SW., PHONO/TUNER/TAPE-1
	46363700	2P Input Terminal, PHONO
	46371500	4P Input Terminal, TUNER, TAPE-1 REC
	46363900	6P Input Terminal, TAPE-1 PLAY, TAPE-2

3-11. F-3741 PHONO/TUNER Indicator Circuit Board <A-505>

Component Side

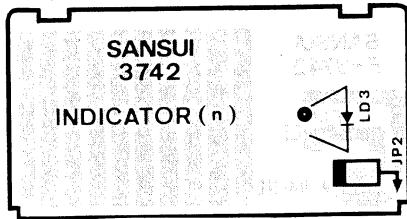


Parts List

Parts No.	Stock No.	Description
nLD1	46176900	Light Emitting Diode TLS-123
nLD2	46176900	Light Emitting Diode TLS-123
nPL1	46315900	Pilot Lamp 12V 1.5A

3-12. F-3742 TAPE Indicator Circuit Board <A-505>

Component Side

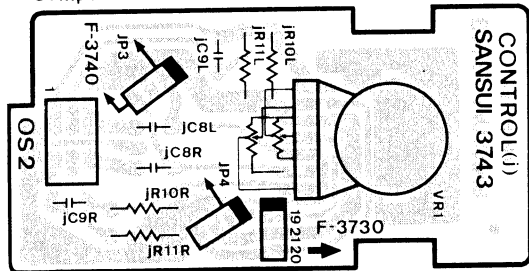


Parts List

Parts No.	Stock No.	Description
nLD3	46176900	Light Emitting Diode TLS-123

3-13. F-3743 VOLUME Circuit Board <A-505>

Component Side

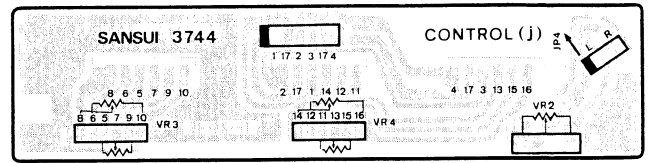


Parts List

Parts No.	Stock No.	Description
jC8	46139800	330pF 50V C.C.
jC9	46131400	0.022μF 50V C.C.
jVR1	46362900	150kΩ (B) x 2 V.R., VOLUME
oS2	46360900	Push SW., LOUDNESS

3-14. F-3744 BASS/TREBLE/BALANCE Volume Circuit Board <A-505>

Component Side

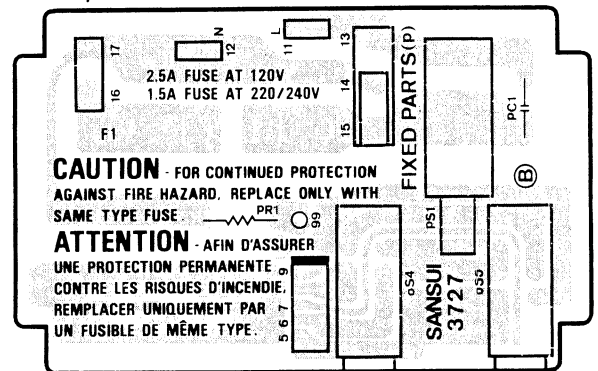


Parts List

Parts No.	Stock No.	Description
jVR2	46363100	50kΩ (C) x 2 + 250kΩ V.R.

3-15. F-3727 POWER Switch Circuit Board <A-707/A-505>

Component Side



Parts List

Parts No.	Stock No.	Description
oS4	46414001	Push SW., speakers ON/OFF <A-707>
oS5	46360800	Push SW., speakers ON/OFF <A-505>
●AC Fuse <A-707>		
pF1	07189000	4A 250V (120V)
	07186600	2A 250V (220/240V)
<A-505>		
pF1	07188700	2.5A 250V (120V)
	07188500	1.5A 250V (220/240V)
pS1	46364300	Push SW., POWER

3-16. F-3731 Speaker Selector Circuit Board <A-707/A-505>

Parts List

Parts No.	Stock No.	Description
kR11	46229400	220Ω 1/2W N.I.R. <A-505>
oS3	46361100	Push SW., SP selector
oJ1	46265700	Jack, PHONES

3-17. F-3732 Speaker Terminal Circuit Board <A-707/A-505>

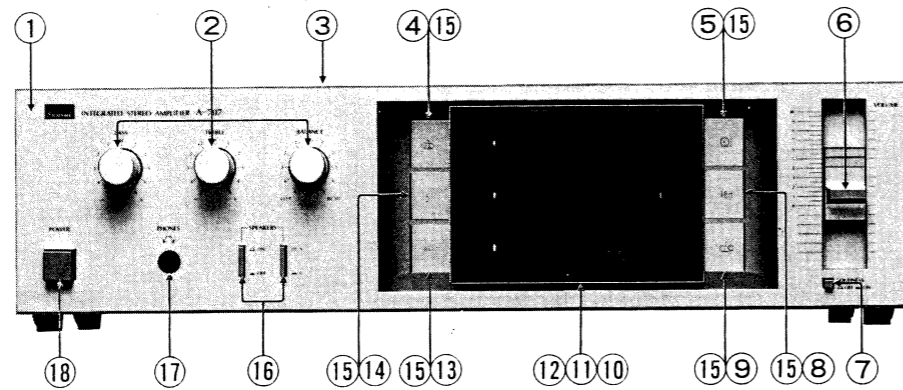
Parts List

Parts No.	Stock No.	Description
kR101, 2	46227400	4.7Ω 1/2W N.I.R. <A-707>
	46227800	10Ω 1/2W N.I.R. <A-505>
	46364100	8P Push Terminal, speaker

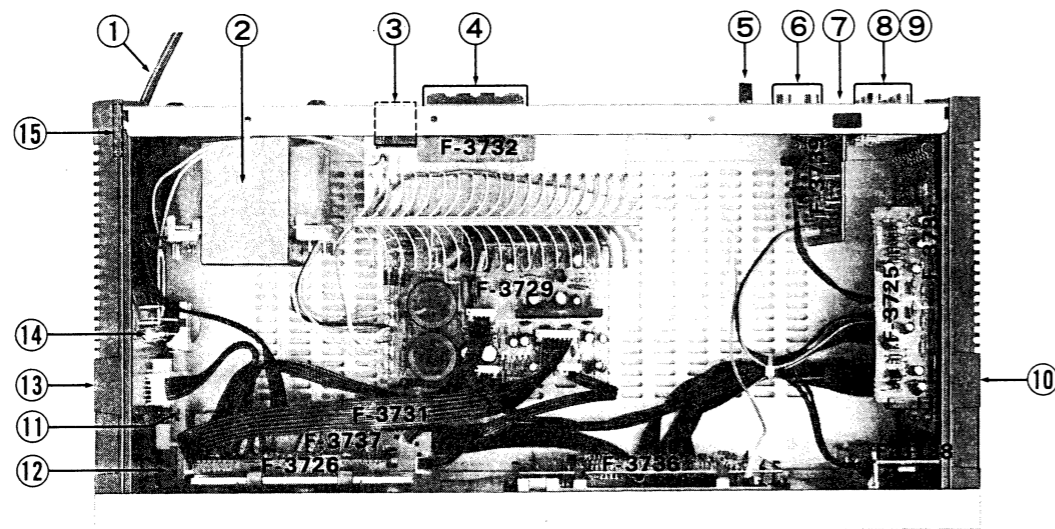
4. OTHER PARTS

4-1. A-707

A) Front View



B) Top View



Parts List <Front View>

Parts No.	Stock No.	Description
•Common Parts		
2	46363100	50kΩ (C) x 2 + 250kΩ V.R., BASS/TREBLE/BALANCE
3	07952400	Bonnet
4	07925800	Knob, TAPE-2
5	46365400	Push SW., TAPE-2
6	07925500	Knob, PHONO
7	46395900	Push SW., PHONO
8	46395300	150kΩ Slide V.R., VOLUME
9	46360900	Push SW., LOUDNESS
10	07925600	Knob, TUNER
11	46395900	Push SW., TUNER
12	07925700	Knob, TAPE-1
13	46365900	Push SW., TAPE-1
14	07945100	Display Cover
15	07925100	Knob, MUTING
16	46365400	Push SW., MUTING
17	07925200	Knob, SUBSONIC
18	46365400	Push SW., SUBSONIC
19	07962600	Cushion Rubber
20	46361100	Push SW., SPEAKERS
21	46265700	Jack, PHONES
22	46364300	Push SW., POWER
•Silver Model		
1	07933300	Front Panel
2	07932400	Knob, BASS/TREBLE/BALANCE
3	07932600	Slide Knob, VOLUME
4	07917200	Push Knob, LOUDNESS
5	47009600	Display Panel
6	47011500	Display Holder
7	47005500	Push Knob, SPEAKERS
8	07971200	Push Knob, POWER

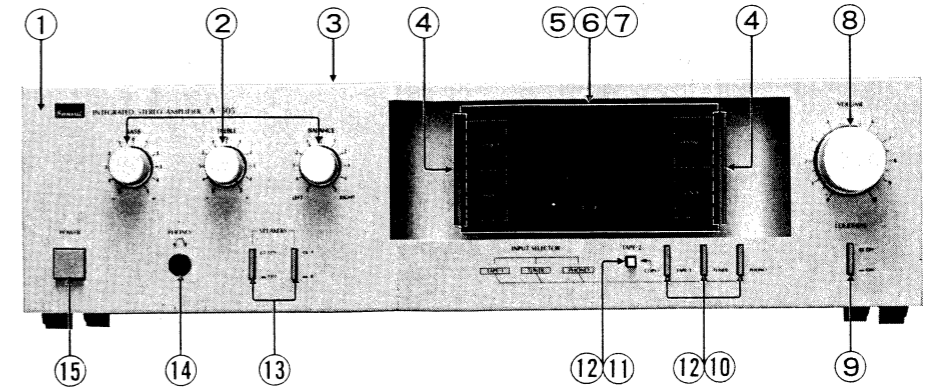
Parts No.	Stock No.	Description
•Black Model		
1	07962100	Front Panel
2	47033300	Knob, BASS/TREBLE/BALANCE
3	07932700	Slide Knob, VOLUME
4	07917300	Push Knob, LOUDNESS
5	07954300	Display Panel
6	07947900	Display Holder
7	07911000	Push Knob, SPEAKERS
8	07911200	Push Knob, POWER

Parts List <Top View>

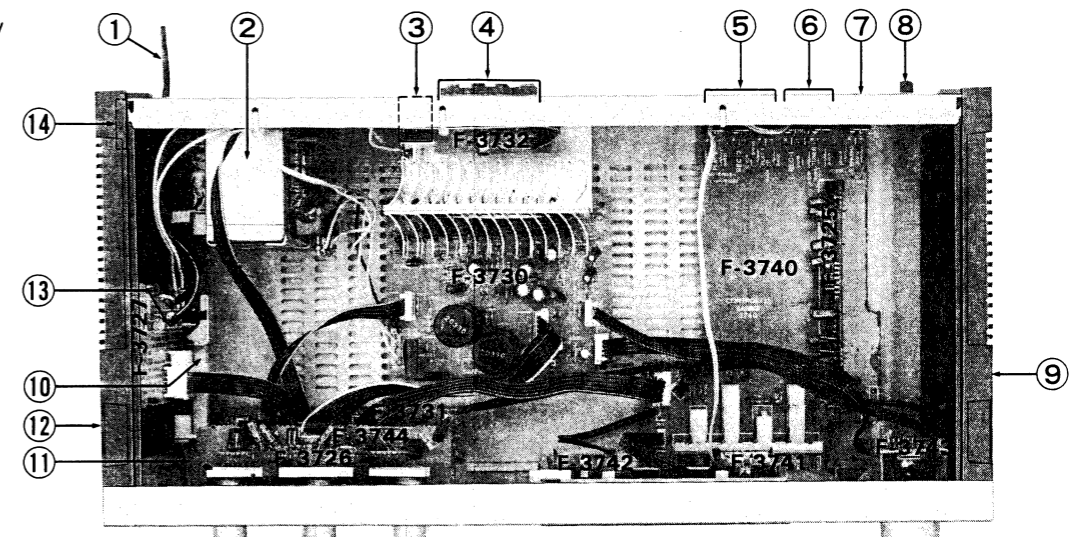
Parts No.	Stock No.	Description
1	38004700	Power Supply Cord
2	15008701	Power Transformer
3	46365000	AC Outlet
4	46364100	8P Push Terminal, SPEAKERS
5	22301500	Ground Terminal
6	46363700	2P Input Terminal, PHONO
7	46148200	Jack (Mini), COMPU SELECTOR
8	46371500	4P Input Terminal, TUNER/TAPE-1 (REC)
9	46363900	6P Input Terminal, TAPE-1 (PLAY)/TAPE-2
10	07952700	Side Panel (R)
11	07934000	Joint Shaft (B), POWER SW.
12	07934100	Joint Shaft (C), POWER SW.
13	07952600	Side Panel (L)
14	07189000	AC Fuse 4A 250 V (120 V)
15	07188600	AC Fuse 2A 250 V (220 V/240 V)
16	07917700	AC Cord Cover

4-2. A-505

A) Front View



B) Top View



Parts List <Front View>

Parts No.	Stock No.	Description
•Common Parts		
2	46363100	50kΩ (C) x 2 + 250kΩ V.R., BASS/TREBLE/BALANCE
3	07952400	Bonnet
4	07918400	Dress Knob
5	07919200	Display Cover
6	46362900	150kΩ (B) x 2 V.R., VOLUME
7	46360900	Push SW., LOUDNESS
8	46365600	Push SW., PHONO/TUNER/TAPE-1, 2
9	46361000	Push SW., SPEAKERS
10	46265700	Jack, PHONES
11	46364300	Push SW., POWER
•Silver Model		
1	07918300	Front Panel
2	07932400	Knob, BASS/TREBLE/BALANCE
3	47009500	Display Panel
4	47011700	Display Holder
5	07961800	Knob, VOLUME
6	07910900	Push Knob, LOUDNESS
7	07910900	Push Knob, PHONO/TUNER/TAPE-1
8	07917200	Push Knob, TAPE-2
9	47005500	Push Knob, SPEAKERS
10	07971200	Push Knob, POWER
•Black Model		
1	07961900	Front Panel
2	47033300	Knob, BASS/TREBLE/BALANCE
3	07954400	Display Panel
4	07935500	Display Holder
5	47033400	Knob, VOLUME

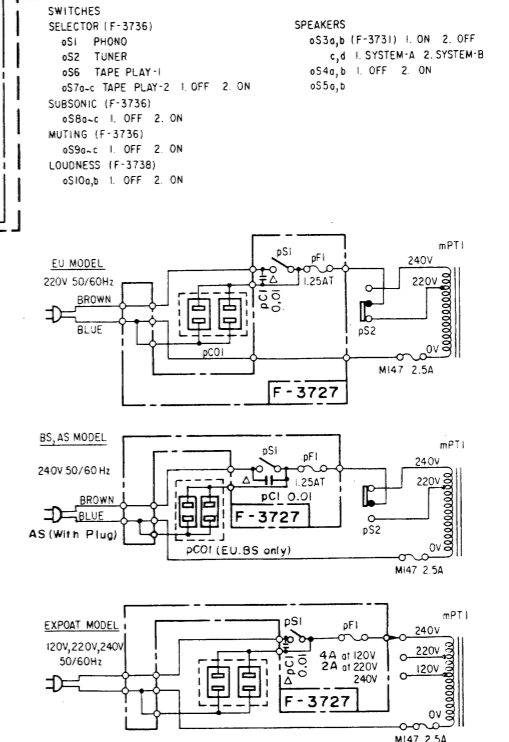
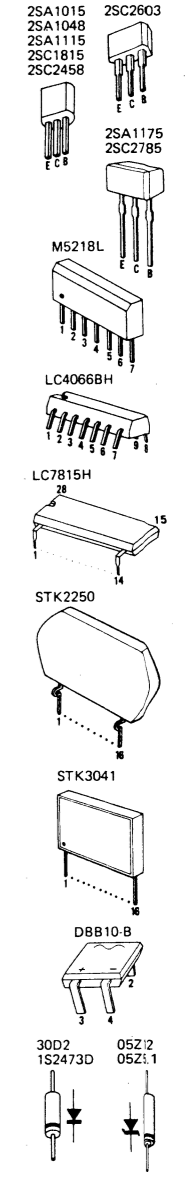
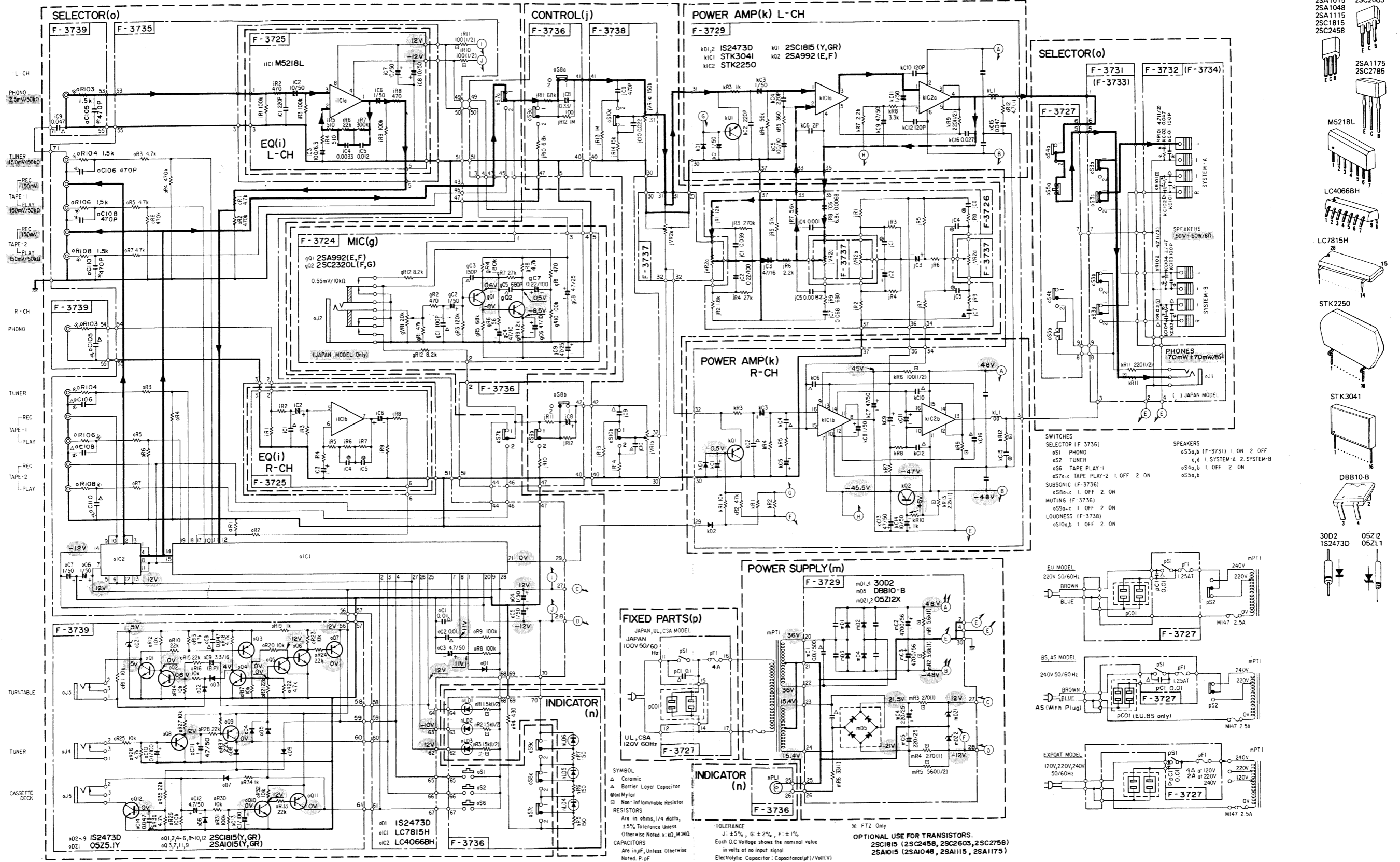
Parts No.	Stock No.	Description
9	07911000	Push Knob, LOUDNESS
10	07911000	Push Knob, PHONO/TUNER/TAPE-1
11	07917300	Push Knob, TAPE-2
12	07911000	Push Knob, SPEAKERS
13	07911200	Push Knob, POWER

Parts List <Top View>

Parts No.	Stock No.	Description
1	38004700	Power Supply Cord
2	15007901	Power Transformer
3	46365000	AC Outlet
4	46364100	8P Push Terminal, SPEAKERS
5	46363900	6P Input Terminal, TAPE-1 (PLAY)/TAPE-2
6	46371500	4P Input Terminal, TUNER/TAPE-1 (REC)
7	46363700	2P Input Terminal, PHONO
8	22301500	Ground Terminal
9	07952700	Side Panel (R)
10	07934000	Joint Shaft (B), POWER SW.
11	07934100	Joint Shaft (C), POWER SW.
12	07952600	Side Panel (L)
13	07188700	AC Fuse 2.5A 250 V (120 V)
14	07188500	AC Fuse 1.5A 250 V (220 V/240 V)
15	07917700	AC Cord Cover

5. SCHEMATIC DIAGRAM 5-1. A-707

* Design and specifications subject to change without notice for improvement.
 * La présentation et les spécifications sont susceptibles d'être modifiées sans préavis par suites d'améliorations éventuelles.
 * Änderungen, die dem technischen Fortschritt dienen, bleiben vorbehalten.



SYMBOL
 Δ Ceramic
 ▽ Barrier Layer Capacitor
 ◻ Mylar
 ◻ Non-Inflammable Resistor
 RESISTORS
 Are in ohms, 1/4 Watt, ±5% Tolerance Unless Otherwise Noted: k, M, M.M.
 CAPACITORS
 Are in μF, Unless Otherwise Noted: p, pF

TOLERANCE
 J: ±5%, G: ±2%, F: ±1%
 Each D.C. Voltage shows the nominal value in volts of no input signal.

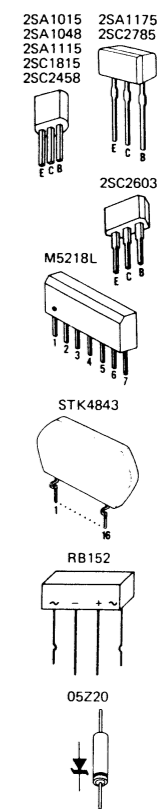
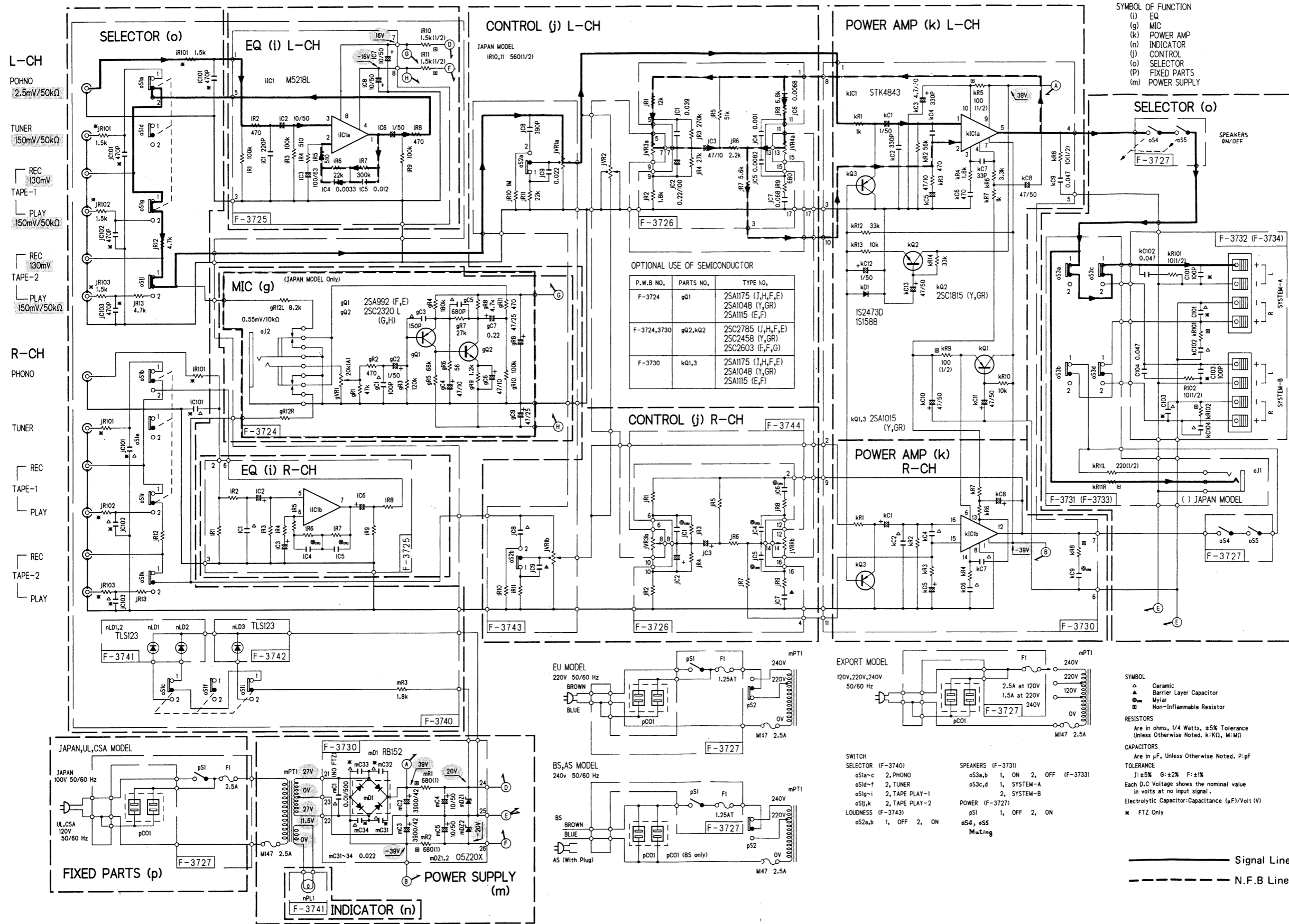
OPTIONAL USE FOR TRANSISTORS:
 2SC1815 (2SC2458, 2SC2603, 2SC2758)
 2SA1015 (2SA1048, 2SA1175, 2SA1175)

EXPAT MODEL: 120V, 220V, 240V, 50/60Hz, PFC1 0.1, PFC2 1.25AT, PFC3 0.1, PFC4 1.25AT, PFC5 0.1, PFC6 1.25AT, PFC7 0.1, PFC8 1.25AT, PFC9 0.1, PFC10 1.25AT, PFC11 0.1, PFC12 1.25AT, PFC13 0.1, PFC14 1.25AT, PFC15 0.1, PFC16 1.25AT, PFC17 0.1, PFC18 1.25AT, PFC19 0.1, PFC20 1.25AT, PFC21 0.1, PFC22 1.25AT, PFC23 0.1, PFC24 1.25AT, PFC25 0.1, PFC26 1.25AT, PFC27 0.1, PFC28 1.25AT, PFC29 0.1, PFC30 1.25AT, PFC31 0.1, PFC32 1.25AT, PFC33 0.1, PFC34 1.25AT, PFC35 0.1, PFC36 1.25AT, PFC37 0.1, PFC38 1.25AT, PFC39 0.1, PFC40 1.25AT, PFC41 0.1, PFC42 1.25AT, PFC43 0.1, PFC44 1.25AT, PFC45 0.1, PFC46 1.25AT, PFC47 0.1, PFC48 1.25AT, PFC49 0.1, PFC50 1.25AT, PFC51 0.1, PFC52 1.25AT, PFC53 0.1, PFC54 1.25AT, PFC55 0.1, PFC56 1.25AT, PFC57 0.1, PFC58 1.25AT, PFC59 0.1, PFC60 1.25AT, PFC61 0.1, PFC62 1.25AT, PFC63 0.1, PFC64 1.25AT, PFC65 0.1, PFC66 1.25AT, PFC67 0.1, PFC68 1.25AT, PFC69 0.1, PFC70 1.25AT, PFC71 0.1, PFC72 1.25AT, PFC73 0.1, PFC74 1.25AT, PFC75 0.1, PFC76 1.25AT, PFC77 0.1, PFC78 1.25AT, PFC79 0.1, PFC80 1.25AT, PFC81 0.1, PFC82 1.25AT, PFC83 0.1, PFC84 1.25AT, PFC85 0.1, PFC86 1.25AT, PFC87 0.1, PFC88 1.25AT, PFC89 0.1, PFC90 1.25AT, PFC91 0.1, PFC92 1.25AT, PFC93 0.1, PFC94 1.25AT, PFC95 0.1, PFC96 1.25AT, PFC97 0.1, PFC98 1.25AT, PFC99 0.1, PFC100 1.25AT

— Signal Line
 - - - N.F.B. Line

5-2. A-505

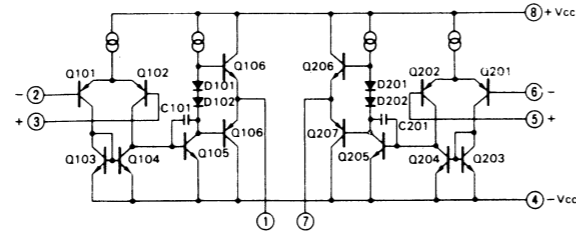
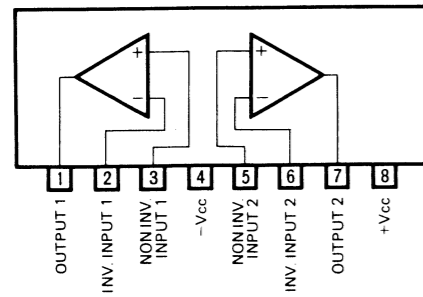
* Design and specifications subject to change without notice for improvement.
 * La présentation et les spécifications sont susceptibles d'être modifiées sans préavis par suites d'améliorations éventuelles.
 * Änderungen, die dem technischen Fortschritt dienen, bleiben vorbehalten.



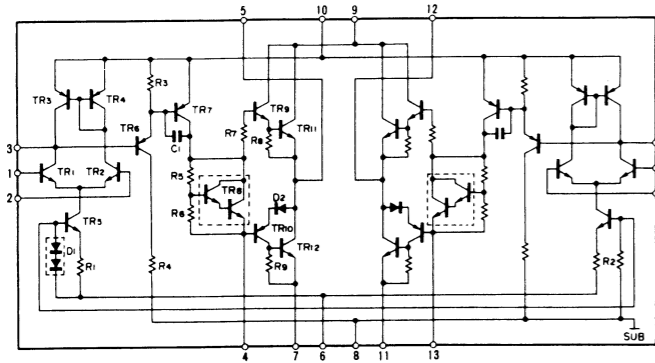
1
2
3
4
5

6. INTERIOR BLOCK DIAGRAM OF IC

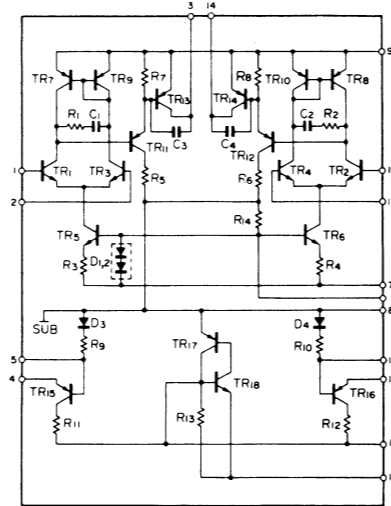
● M5218L (Audio PRE Amp. IC) <A-707/A-505>



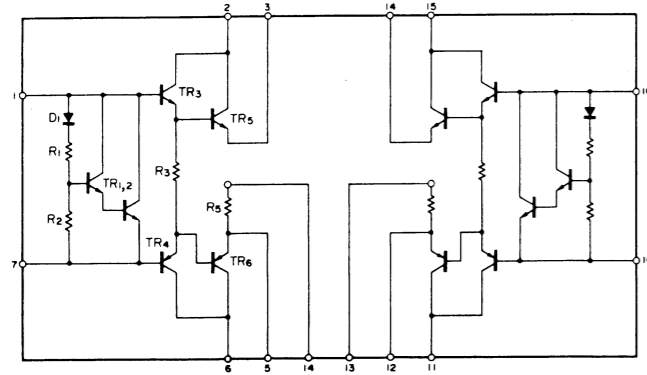
● STK4843 (AF Power Amp. IC) <A-505>



● STK3041 (Driver Amplifier IC) <A-707>



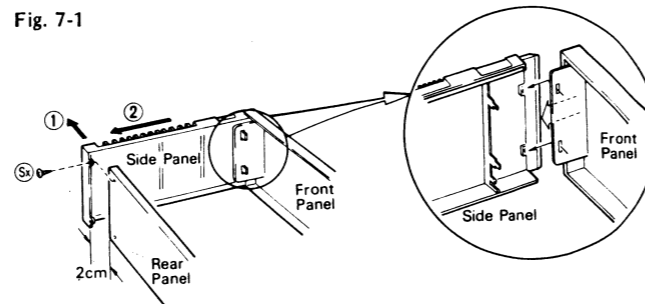
● STK2250 (AF Power Amp. Output Stage IC) <A-707>



7. REPLACEMENT OF SIDE PANEL L(R)

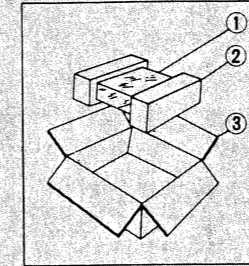
1. Remove bonnet and bottom plate.
2. Remove the screw (S) fixing side panel L (R) from rear panel side.
3. Shift the position of the side panel L (R) 2 cm in the arrow direction (1) and then pull it the arrow direction (2) to remove the side panel L (R). (See Fig. 7-1)

Fig. 7-1



8. PACKING LIST

Parts No.	Stock No.	Description
1	91263810	Vinyl Cover
2	07949000	Styrofoam Packing
3	07948400	Carton Case <A-707/Silver Model>
	07948300	Carton Case <A-707/Black Model>
	07948700	Carton Case <A-505/Silver Model>
	07948600	Carton Case <A-505/Black Model>



9. ACCESSORY LIST

Stock No.	Description
46355600	Operating Instruction <A-707>
46354700	Operating Instruction <A-505>

Sansui

SANSUI ELECTRIC CO., LTD.
SANSUI ELECTRONICS CORPORATION
SANSUI ELECTRONICS (U.K.) LTD.
SANSUI ELECTRONICS G.M.B.H.

14-1, Izumi 2-chome, Suginami-ku, Tokyo 168 Japan
PHONE: (03) 324-8891/TELEX: 232-2076 (International Division)
1250 Valley Brook Ave. Lyndhurst, N.J. 07071 U.S.A.
333 West Alondra Blvd. Gardena, California 90247 U.S.A.
3036 Koaopaka St. Honolulu, Hawaii 96819 U.S.A.
Unit 10A, Lyon Industrial Estate, Rockware Avenue, Greenford, Middx UB6. England
Paul Ehrlich Strasse 8, 6074 Rödermark 2, West Germany

(SM1-56)

Printed in Japan (720030M) (Stock No. 36469800)